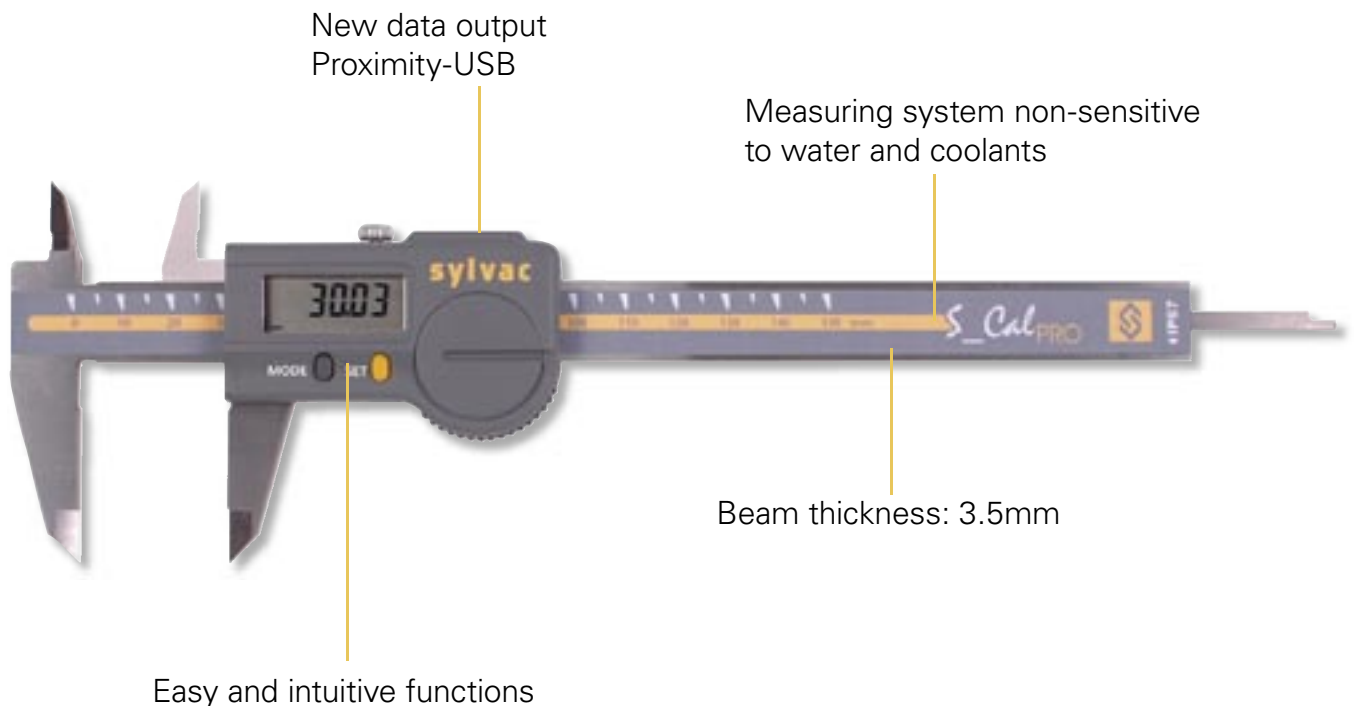




# The new S\_Cal PRO

The professional caliper

- Water and coolant resistant, IP67 (according to IEC 60529)
- High comfort of use thanks to its ergonomic beam
- Smart Inductive Sensor (S.I.S):
  - Automatic stand-by mode
  - Origin saved
  - Automatic wake-up by motion of the slider
- LCD digital display, height of the digits 7mm
- New, contactless data output (S\_Connect Proximity)
- Increased self-contained use (12'000 working hours)

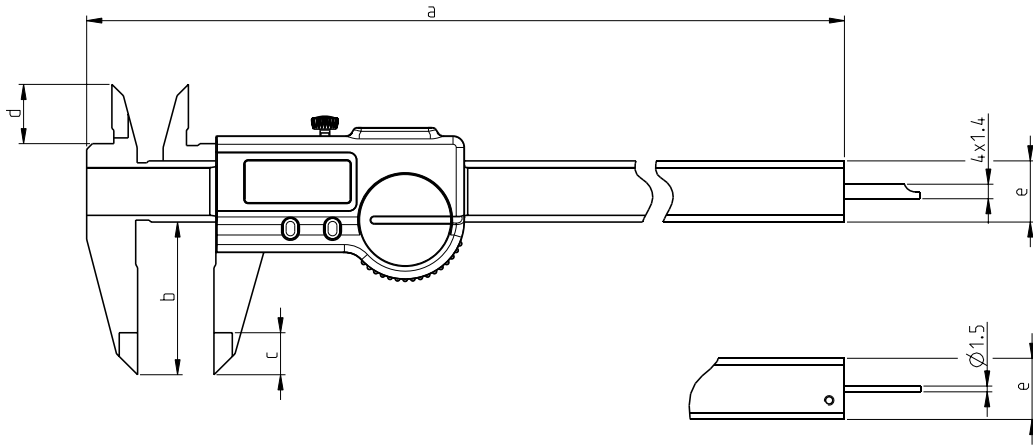


IP67



# S\_Cal PRO

## Technical data



		910.1502	910.1507	910.1522	910.1532
Measuring range	mm	150	150	200	300
Max. error G	µm	20 <sup>1)</sup>	20 <sup>1)</sup>	30	30
a	mm	234.5	234.5	290	387
b	mm	40	40	50	64
c	mm	11	11	14	14
d	mm	16	16	19	19
e	mm	16 x 3.5	16 x 3.5	16 x 3.5	16 x 4
Depth rod		4 x 1.4	Ø1.5	4 x 1.4	---
Protection IP <sup>2)</sup>		IP67			
S_Connect		Proximity-USB / RS232 / Digimatic / Wireless			
Zero setting		●			
Smart Inductive Sensor		●			

<sup>1)</sup> > 100mm: 30µm according to DIN 862

<sup>2)</sup> According to IEC 60529

## Accessories



**926.6721**

Cable Proximity-USB



**SYLVAC SA** CP Ch. du Cloislet 16 CH-1023-Crissier

+41 (0) 21 637 67 57 - Fax: +41 (0) 21 637 67 40  
E-mail: [vente@sylvac.ch](mailto:vente@sylvac.ch) - Web: [www.sylvac.ch](http://www.sylvac.ch)

Changes without prior notice  
Toutes modifications réservées  
Änderungen vorbehalten