

SEALTEC TECHNOLOGY



[Print this Page](#)

THE NEW TECHNOLOGY "SEALTEC"

For applications under the most difficult conditions like high humidity and extreme temperature WYLER has developed the new SEALTEC-Technology. The sensors of the new instruments are filled with a special gas and air sealed welded with laser.

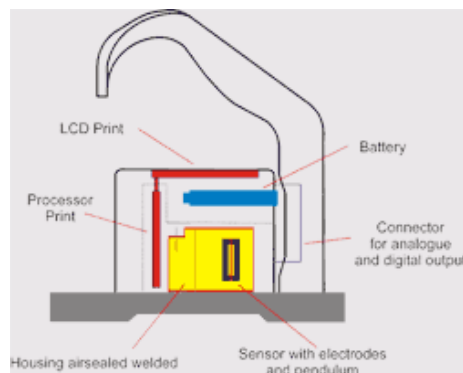
The new Minilevel NT and Leveltronic NT instruments with SEALTEC-Technology



The new measuring instruments Minilevel NT and Leveltronic NT with SEALTEC-Technology allows an error free performance even under extreme conditions like high humidity and extreme temperature.

The instruments are available from now on in all common configurations.

Cross section of a
Minilevel NT
with
SEALTEC-Technology



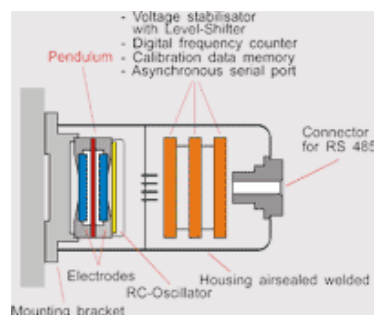
Sensors ZEROTRONIC with SEALTEC-Technology



Due to the consequently driven development of the ZEROTRONIC sensor family in combination with the SEALTEC-Technology a substantial increase in quality has been achieved. The new developed sensor with a completely encapsulated and gastight sensor cell shows excellent results under extreme conditions like high humidity and extreme temperature.

The sensors ZEROTRONIC with SEALTEC-Technology are available from now on in all common configurations and measuring ranges.

Cross section of a
ZEROTRONIC
with
SEALTEC-Technology



[Home](#)

[Close window](#)